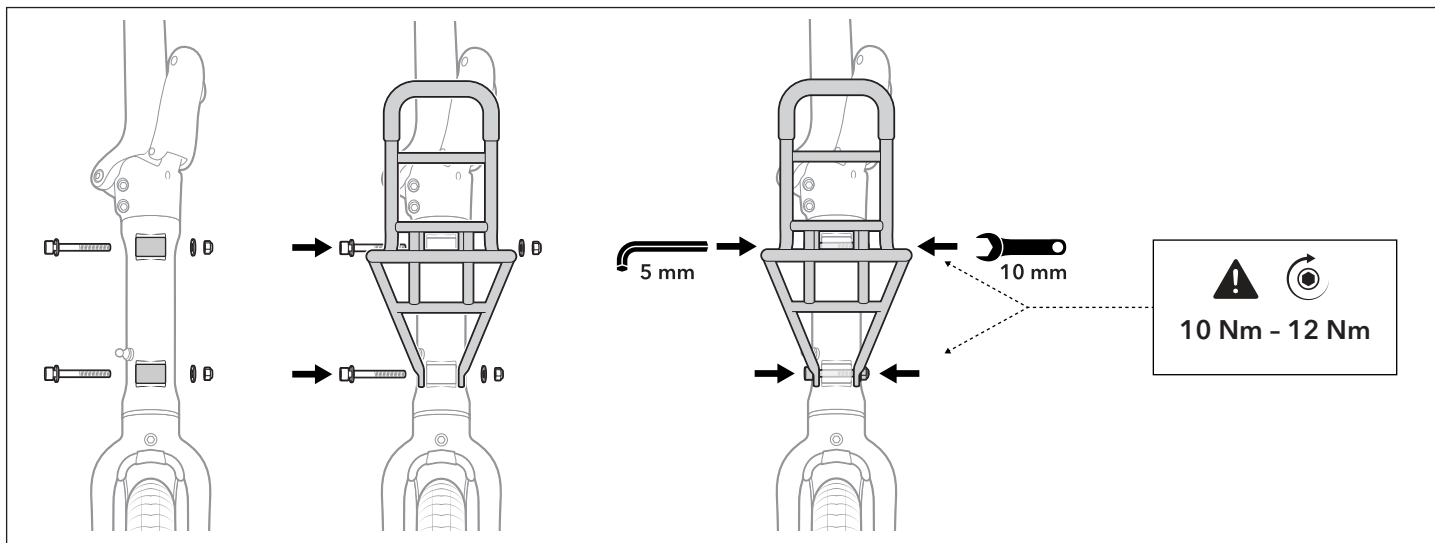


# Pack Rack™

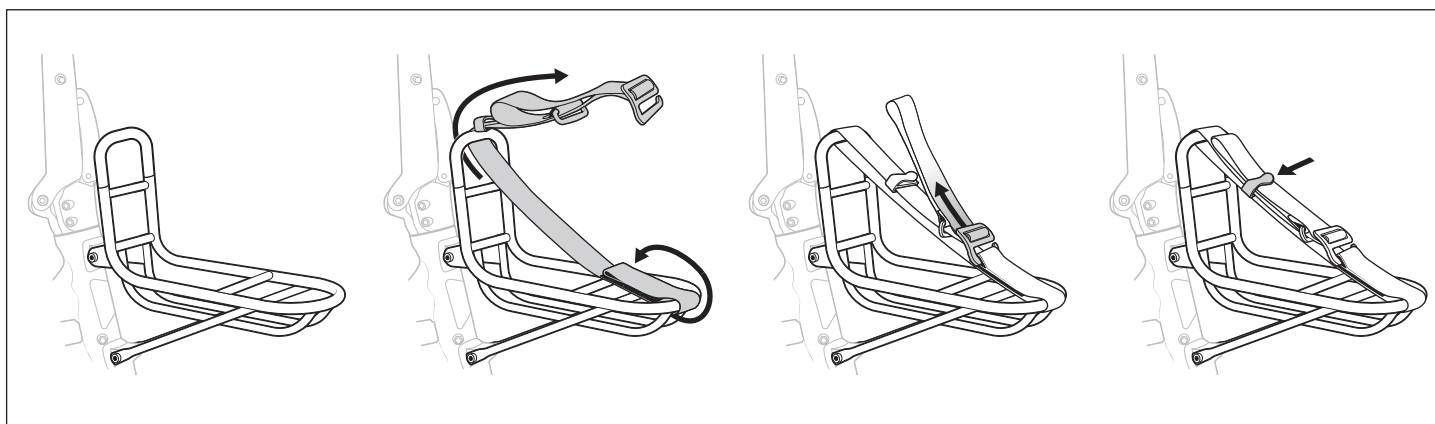
## How to Install

Tools required (not included)

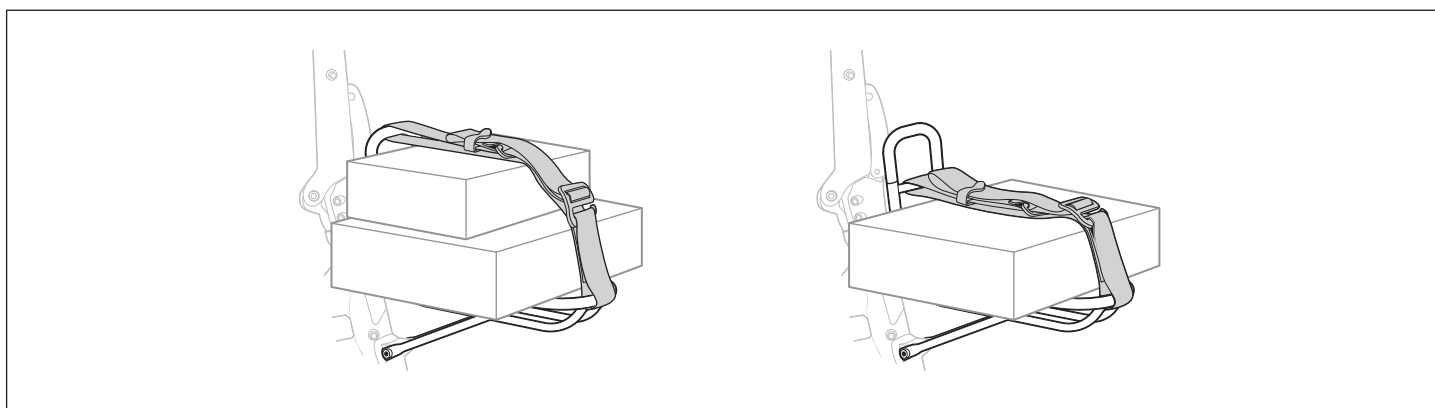


⚠️ **Maximum load: 15 kg (33 lb)**

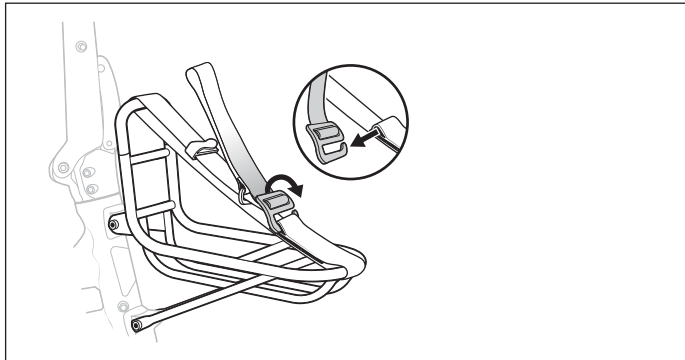
## Placing the Strap



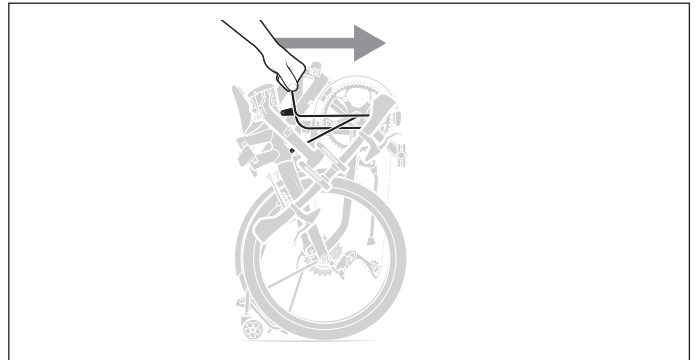
## Adjusting the Strap According to Cargo



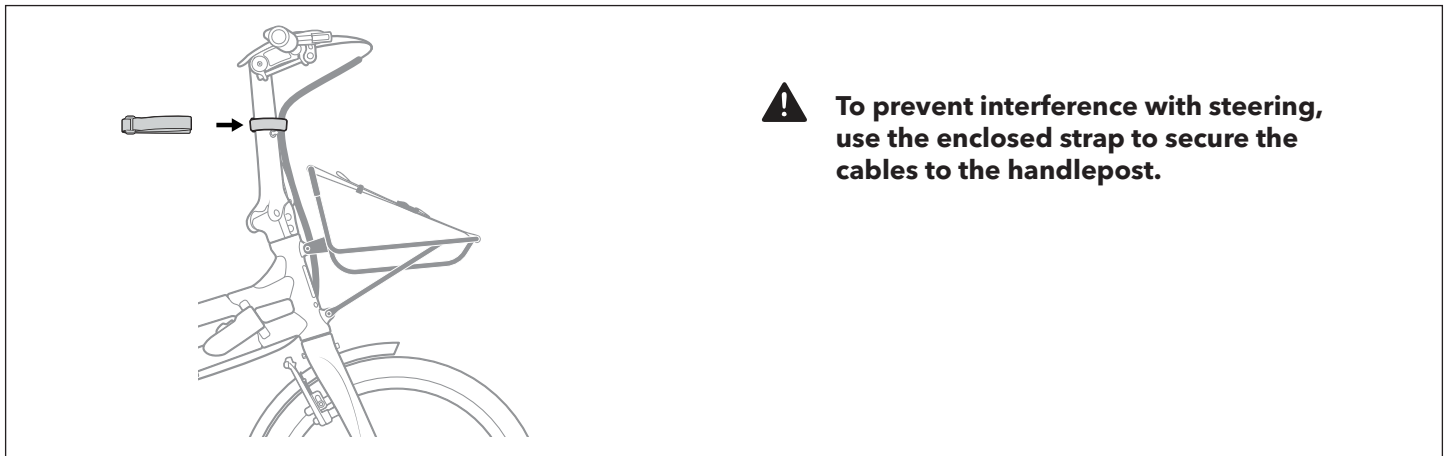
## Releasing the Strap



## Using as a Handle for Trolleying



## Securing Cables



**!** If using the Pack Rack with the BYB, make sure to rotate the rubber strap under the frame so it is perpendicular with the bike before folding. It will allow usage of the strap after folding.

LIMITED PRODUCT WARRANTY INFORMATION: This Product comes with an ONE (1) YEAR Limited Warranty from the date of retail purchase by the original end-user. If a material or workmanship defect arises and a valid claim is received within the Warranty Period, this Product will be replaced. Mobility Holdings cannot be held liable for damages to personal property due to misuse or improper care and maintenance. This Product Warranty does not, under any circumstance, cover the replacement or cost of any third party product used with or connected to the Product.

Tern, Tern (logotype), Tern berd (device), BYB, Combo Mount and PackRack, used alone or in combination are trade names, trade devices or registered trademarks of Mobility Holdings, Ltd.

© 2019 Mobility Holdings, Ltd.

   @ternbicycles

ternbicycles.com

tern 